

Superior Performance
Unbeatable Pricing
Pride in Workmanship
Energy Efficient
Rugged Construction



TY/TYM Agitator

Manual



Content

| | |
|----------------------------|---|
| 1、Introduction | |
| • Model..... | 2 |
| • Features..... | 2 |
| • Dimensions..... | 3 |
| • Dimension Chart..... | 3 |
| 2、Prior to Start-up..... | 4 |
| 3、Cautions in Running..... | 4 |
| 4、Maintenance..... | 4 |
| 5、Quality Quarantee..... | 5 |

1、Introduction

▪ Model

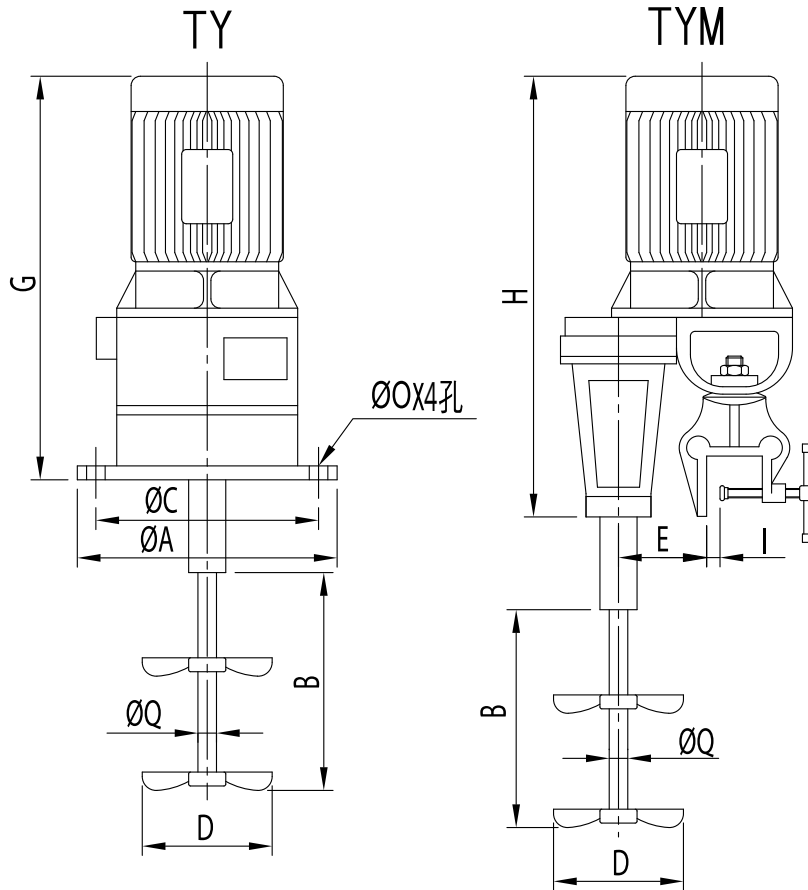
TY - 1 200 1 - 220 - 4 - 5
(1) (2) (3) (4) (5) (6) (7)

- | | |
|---|---|
| (1) Type: TY - Fixed TYM - Removable | (5) Voltage: 220-220V 380-380V 440-440V |
| (2) 1 - 1/4 HP 2 - 1/2 HP 3 - 1 HP | (6) Material: 4 - SUS304 6 - SUS316 |
| (3) RPM: 80-80RPM 200-200RPM 300-300RPM | (7) Frequency: 5-50HZ 6-60HZ |
| (4) Phase: 1-1Ø 3-3Ø | |

▪ Features

1. Gear reducer, impact and high reduction ratio.
2. Reducer and motor are connected by flange for long-turn running.
3. Tough structure, excellent sealing for gear box, no leakage.
4. Ideal for mixing chemicals and waste water application. Variable speed depending on applications.

▪ Dimensions



▪ Dimension Chart

| TYPE | HP | (Ø) | R.P.M | A | B | C | D | E | F | G | H | I | O | Q |
|----------------|-----|-----|--------|-----|------|-----|-----|-----|----|-----|-----|----|----|-------|
| TY-1, TYM-1 | 1/4 | 1,3 | 80~300 | 160 | 1000 | 130 | 200 | 110 | 30 | 387 | 455 | 30 | 10 | 15.87 |
| TY-2, TYM-2 | 1/2 | 1,3 | 80~300 | 160 | 1000 | 130 | 250 | 110 | 30 | 409 | 470 | 30 | 10 | 19.05 |
| TY-3, TYM-3 | 1 | 1,3 | 80~300 | 200 | 1000 | 165 | 300 | 130 | 50 | 452 | 565 | 30 | 12 | 22.25 |

2 \ Prior to start-up

- Make sure all bolts are fastened.
- Make sure the voltage before wiring.
- Power on to check the rotation clockwise from top.
- Make sure no tools left in the tank.
- Take care vibration from the tank might bend the shaft.
- Overload protection switch is recommended.

3 \ Cautions in running.

- Never dry running.
- Shutdown to inspect if abnormal noise or heat appears.
- Make sure the current is not overload while running.
- Make sure the shaft and fins are straight. Bended shaft or fin will cause vibration or noise and malfunction consequently.
- Shutdown to check the shaft's turning, blots, mounting and solid in tank if vibration appears in running.
- Add solid into the tank gently and avoid to damage the shaft or fins.
- Set lower speed for sticky or higher specific gravity liquid.

4 \ Maintenance

- Clean gear box and replace new lube oil after the first 100 hours running, and keep replacing new lube oil every 2,500 hours running or every 3 months. HD320 or the same grade lube oil are recommended.
- Contact Super for high temperature, high pressure and heavy load applications.

Quality Guarantee

Model:

Serial No.:

All the SUPER GIANT products have passed strict quality control and fulfill the standard stated in our catalogue. They will run in excellent condition under proper operation and good maintenance.

1. Please store this guarantee properly and show it when necessary.
2. Super Giant Enterprise company will charge for repair under the following conditions.
 - The damage is caused by non-permitted repair, or improper maintenance or operation.
 - The product is broken by natural disasters such as earth quake or fire.
3. The consumable parts and accessories are not covered in the guarantee.
4. guarantee period: 1 year after delivery

Should you have any question, please contact our dealer or Super Giant Enterprise directly.

Address: No.7 Lane 404 Chung Cheng South Road, Yen Hang, Yung Kang,
Tainan,
Taiwan, R.O.C.

Tel: +886-6-2534546

Fax: +886-6-2534226



While placing your order...

Please kindly provide us the following information.

- 1. Chemical: Name/Concentration/Temperature/
Specific Gravity/Viscosity**
- 2. Capacity needed: _____ L/min**
- 3. Head needed: _____ M**
- 4. Power: Voltage/Frequency**

SUPER GIANT ENTERPRISE CO., LTD.
No.7, Lane 404, Chung Cheng South Road, Yen
Hang, Yung Kang, Tainan, Taiwan,
Tel:886-6-2534546, 2541601
Fax:886-6-2534226, 2420509
E-mail:super@superpump.tw
Website:<http://superpump.tw>
<http://superpump.cn>