



SUPER
塑寶牌

塑寶®

耐酸鹼化學自吸式

SAS 型機械軸封泵浦

SELF-PRIMING CHEMICAL PUMPS



SUPER PUMPS

MODEL IDENTIFICATION

型號說明

SAS - 40 2 H T - 6 N 5 2 - 1
1 2 3 4 5 6 7 8 9 10

- (1) Type機型編號
SAS-化工機型
- (2) In-Outlet 出入口徑
內牙式:
25 - 1" 40-1-1/2"
50 - 2" 65 - 2-1/2"
75-3"
- (3) Power馬力
1/2:1/2HP 1:1HP
2:2HP 3:3HP
5:5HP 7 : 7.5HP
10: 10HP
- (4) Head揚程
H-High Head高揚程
- (5) Seal Material 軸封材質
T-Teflon Bellows/SSS
B-Teflon Bellows/CCS
S-一般軸封/SSS
C-一般軸封/CCS
- (6) Pump Material 泵體材質
6 - SUS316
- (7) O-Rings O環材質
N-NBR. E-EPDM.
V-VITON. T-TEFLON.
- (8) Frequency 頻率
5:50Hz 6:60Hz
- (9) Pole 級數
2 : 2P
- (10) 出入口規格
1-法蘭10K 5-法蘭5K

- SAS適合化工藥水如濃硫酸，硝酸，磷酸，高溫強鹼液體及純水系統循環使用。
- 本泵浦主體採用精密鑄造加工而成，無砂孔現象，泵體內外平滑，尺寸性高。
- 配合各種化學性之需要選擇泵體材質 SUS316及Teflon Bellows Seal。
- 適合一般純水業，表面處理業、食品業、化工業使用。
- 現場配管吸入口管路應加大管徑，降低壓損。
- SAS Suitable Applications: Sulfuric Acid, Nitric Acid, Phosphoric Acid, High Temperature Alkali Liquids and Pure Water Recirculating Systems.
- Pump Body Using Precision Casting, No Sand Holes, With Smooth Internal and External
- SUS316 Pump Head & Teflon Bellow Seal. Various Chemical Pump Material Options, SUS316 & Teflon Bellows Seal
- Suitable For Pure Water Industry, Surface Treatment Industry, Food Industry, and Chemical Industries.
- Increase Inlet Diameter To Reduce Pressure Lost.

SPECIFICATIONS PERFORMANCE CHART

規格/性能曲線

※ 重量/性能以實物為準

Weight / Performance Is For Reference Only Actual Product May Vary

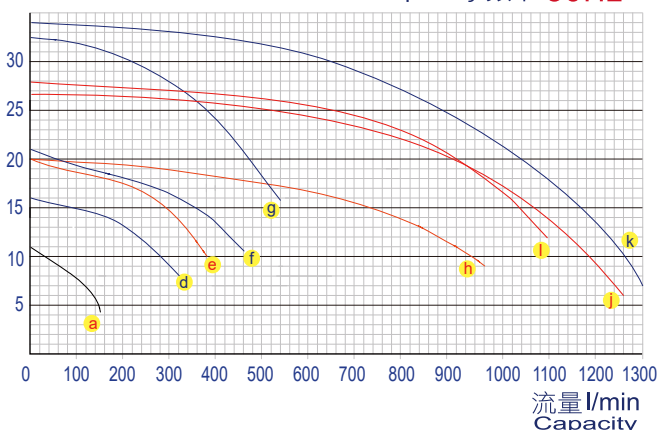
(測試流體：水 比重1.0)

Test Fluid : Water Sp.Gravity 1.0

Model 型式	In/Outlet 進出口徑 (mm)	Power 馬力	Pole 極數	50Hz			60Hz			Weight 重量kg (參考值)
				Curve 曲線	Max.Head 全揚程 M	Max.Flow 全流量 L/min	Curve 曲線	Max.Head 全揚程 M	Max.Flow 全流量 L/min	
25-1/2H	1"	1/2	2P	a	12	145	A	11	130	19
25-1H	1"	1	2P	c	15	220	C	18	185	26
40-1H	1-1/2"	1	2P	d	16	320	D	14	305	26
40-2H	1-1/2"	2	2P	e	20	380	E	24	430	30
50-3H	2"	3	2P	f	21	460	F	25	400	45
50-5H	2"	5	2P	g	32	540	G	32	540	50
65-5H	2-1/2"	5	2P	h	20	980	H	23	900	55
65-7H	2-1/2"	7.5	2P	i	28	1100	I	32	950	66
75-7H	3"	7.5	2P	j	26.5	1260	J	31.5	1000	68
75-10H	3"	10	2P	k	34	1300	K	34	1280	75

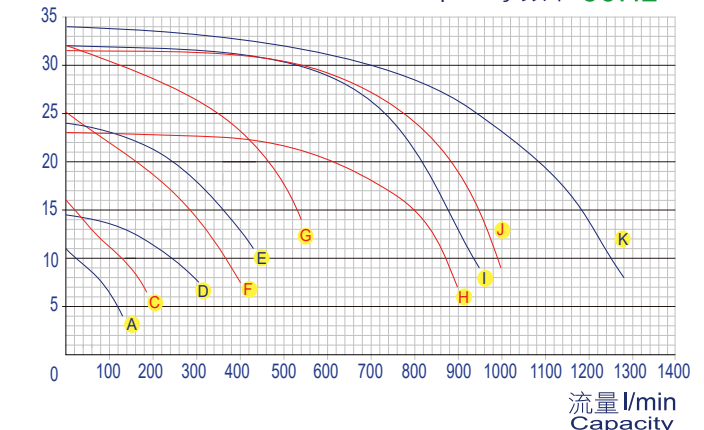
揚程M
Head

Frequency 頻率: 50Hz



揚程M
Head

Frequency 頻率: 60Hz



MODEL IDENTIFICATION

型號說明

SAS - 40 2 L T - 6 N 5 2 - 1
1 2 3 4 5 6 7 8 9 10

- (1) Type機型編號
SAS-化工機型
- (2) In-Outlet 出入口徑
內牙式:
25 - 1" 40-1-1/2"
50 - 2" 65 - 2-1/2"
75-3"
- (3) Power馬力
1/2:1/2HP 1:1HP
2:2HP 3:3HP
5:5HP 7: 7.5HP
10: 10HP
- (4) Head揚程
L-Low Head低揚程
- (5) Seal Material軸封材質
T-Teflon Bellows/SSS
B-Teflon Bellows/CCS
C-一般軸封/CCS
- (6) Pump Material 泵體材質
6 - SUS316
- (7) O-Rings O環材質
N-NBR. E-EPDM.
V-VITON. T-TEFLON.
- (8) Frequency 頻率
5:50Hz 6:60Hz
- (9) Pole 級數
2 : 2P. 4 : 4P
- (10) 出入口規格
1-法蘭10K 5-法蘭5K

- SAS適合化工藥水如濃硫酸，硝酸，磷酸，高溫強鹼液體及純水系統循環使用。
- 本泵浦主體採用精密鑄造加工而成，無砂孔現象，泵體內外平滑，尺寸性高。
- 配合各種化學性之需要選擇泵體材質 SUS316及Teflon Bellows Seal。
- 適合一般純水業，表面處理業、食品業、化工業使用。
- 現場配管吸入口管路應加大管徑，降低壓損。
- SAS Suitable Applications: Sulfuric Acid, Nitric Acid, Phosphoric Acid, High Temperature Alkali Liquids and Pure Water Recirculating Systems.
- Pump Body Using Precision Casting, No Sand Holes, With Smooth Internal and External
- SUS316 Pump Head & Teflon Bellow Seal. Various Chemical Pump Material Options, SUS316 & Teflon Bellows Seal
- Suitable For Pure Water Industry, Surface Treatment Industry, Food Industry, and Chemical Industries.
- Increase Inlet Diameter To Reduce Pressure Lost.

SPECIFICATIONS PERFORMANCE CHART

規格/性能曲線

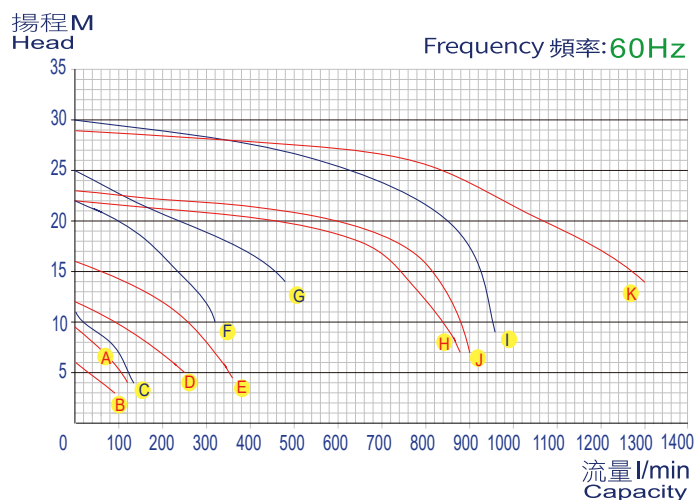
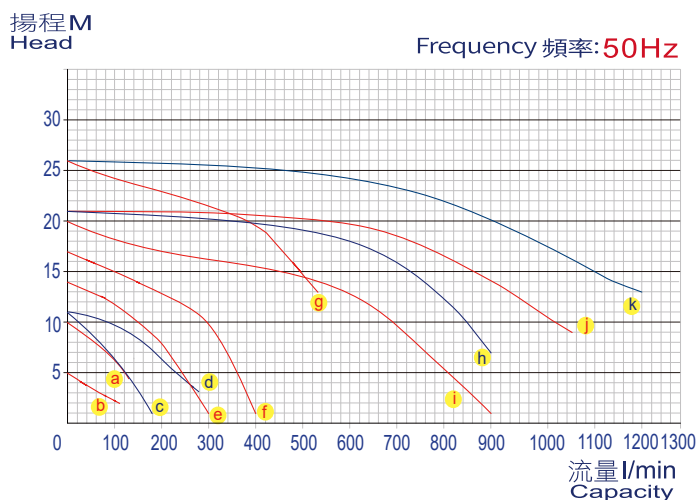
※ 重量/性能以實物為準

(測試流體：水 比重1.0)

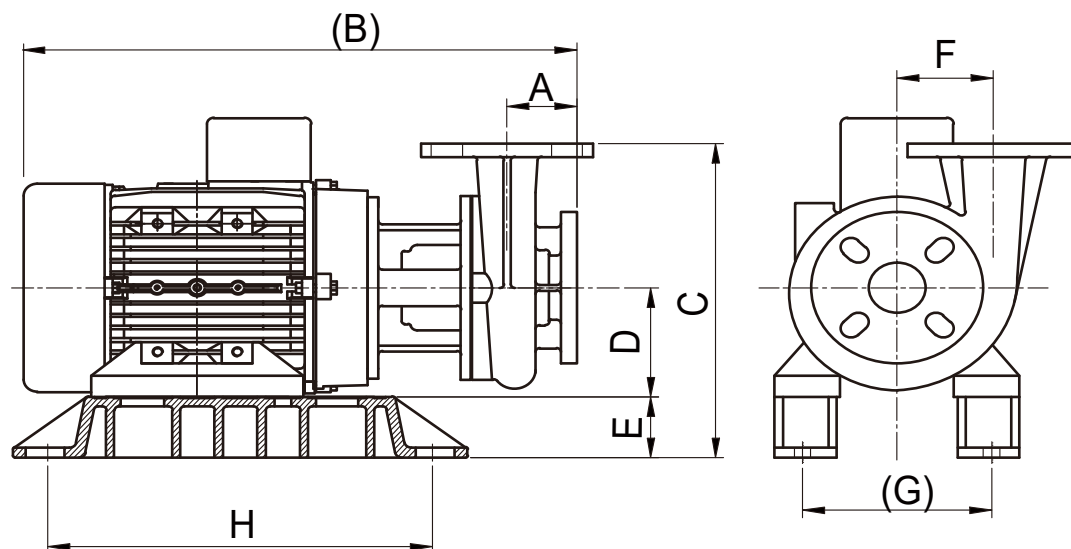
Weight / Performance Is For Reference Only Actual Product May Vary

Test Fluid : Water Sp.Gravity 1.0

Model 型式	In/Outlet 進出口徑 (mm)	Power 馬力	Pole 極數	50Hz			60Hz			Weight 重量kg (參考值)
				Curve 曲線	Max.Head 全揚程 M	Max.Flow 全流量 L/min	Curve 曲線	Max.Head 全揚程 M	Max.Flow 全流量 L/min	
25-1/2L	1"	1/2	4P	b	5	110	B	6	90	19
25-1L	1"	1	2P	c	11	180	C	11	130	26
40-1L	1-1/2"	1	2P	d	11	300	D	11	250	26
40-2L	1-1/2"	2	2P	e	14	300	E	16	360	30
50-3L	2"	3	2P	f	17	400	F	22	320	45
50-5L	2"	5	2P	g	26	530	G	25	480	50
65-5L	2-1/2"	5	2P	h	21	900	H	22	880	55
65-7L	2-1/2"	7-1/2	2P	i	20	900	I	30	960	66
75-7L	3"	7-1/2	2P	j	21	1050	J	23	900	68
75-10L	3"	10	2P	k	26	1200	K	34	1400	75



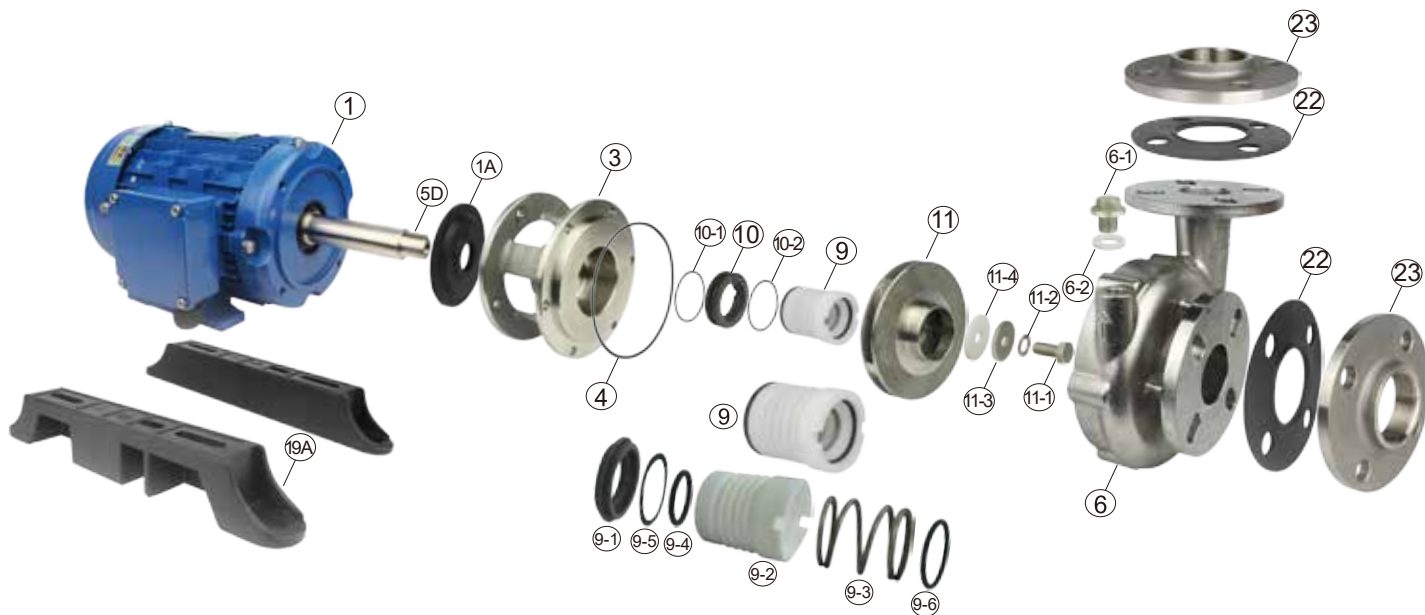
DIMENSIONS
外觀尺寸



※尺寸表B會因電機品牌不同而改變
Dimension May Vary With Different Brand Motor

Unit:mm

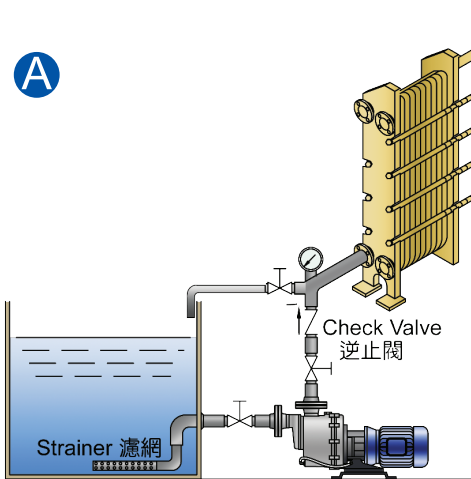
Model	馬力 Power	進出口徑 In/Outlet	A	(B)	C	D	E	F	G	H
25-1/2	1/2HP	25X25	47.5	383	230	80	50	65	115	280
25-1/2-4	1/2HP	25X25	51	392.5	249	80	50	70	115	280
25-1	1HP	25X25	51	392.5	249	80	50	70	115	280
40-1	1HP	40X40	51	392.5	249	80	50	70	115	280
40-2	2HP	40X40	51	402.5	259	90	50	70	137.5	280
50-3	3HP	50X50	56	440.5	275	90	50	88	137.5	280
50-5	5HP	50X50	56	502	297	112	50	88	180	330
65-5	5HP	65X65	77	530	323.5	112	50	95	180	330
75-7	7-1/2HP	75X75	77	565	343	132	50	95	216	330
75-10	10HP	75X75	77	565	343	132	50	95	216	330



CONSTRUCTION
零件圖表

1 馬達 Motor  FC/Alu(2Pole)	1A 軸心用圈 Oil-Seal  NBR / EPT VITON / HV	3 後封蓋 Rear cover  SUS	4 後蓋O環 Rear Cover O-ring  NBR / EPT VITON / HV	5D 葉輪鍵 Impeller Pin  SUS	6 主體前蓋 Front Cover  SUS	6-1 前蓋排氣閥 注水孔帽 SUS Water Filling Cap  SUS	6-2 排氣螺絲墊片 Release Gasket  TEFLON	9 前軸封 Bellows-seal combination  SUS	9-1 轉動環 Rotational-seal  CARBON SSIC	
9-2 伸縮環 Bellows  TEFLON	9-3 彈簧 Bellows Spring  HASTELLOY-C SUS316	9-4 伸縮環前O環 Bellows Front O-ring  NBR / EPT VITON / HV	9-5 伸縮環墊片 Bellows Packing  NBR / EPT VITON / HV	9-6 伸縮環後O環 Bellows Rear O-ring  NBR / EPT VITON / HV	10 組合式固定環 Fixed-seal  CERAMIC SSIC	10-1 固定環後O環 Fixed-Seal Rear O-ring  NBR / EPT VITON / HV	10-2 固定環側O環 Fixed-Seal Side O-ring  NBR / EPT VITON / HV	11 葉輪 Impeller  SUS	11-1 葉輪固定螺絲 Impeller Bolt  SUS	11-2 葉輪固定彈簧 華司 Spring Washer  SUS
11-3 葉輪固定平 華司 Washer  SUS	11-4 葉輪螺絲墊片 Impeller Gasket  TEFLON	19A 腳架 Base  FRPP	22 法蘭墊片 Flange Gasket  NBR / EPT VITON / HV	23 法蘭配件 FPT Threaded Flange  SUS						

A

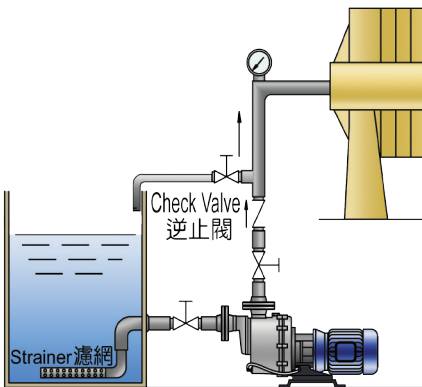


Example A

1. While applied to heat-exchanger, install a pressure gauge at the outlet to make sure no clog inside the pipeline.
2. Install a strainer at the inlet to stop articles or objects entering the pump. It also cut down the bubbles.
3. Install valves at the inlet and outlet for easy maintenance.
4. The diameter of each hole in the strainer should be approximately 5~7mm and the total mesh area of the strainer should be 5~10 times the area of the inlet.
It's better to enlarge the inlet pipeline. For example, enlarged 2-1/2" inlet pipeline could drop the resistance loss.
5. Set an overflow piping at the outlet pipeline and keep constantly opened to allow little overflow

1. 當應用於熱交換器時，於出口加裝壓力錶，以確定管路中有沒有阻塞。
2. 於入口加裝濾網，以阻止外物進入泵浦，也會減少氣泡的出現。
3. 於出入口的管路中加裝閥門，以便維護。
4. 濾網網孔的直徑應為約5~7mm，且濾網孔的面積應為入口管徑之5~10倍，入口管路最好加大管徑，如泵入口為2"，改配2-1/2"入口管，預防吸入量的不足。
5. 出水口配有回流管，正常開啟閥門，少量回流。

B

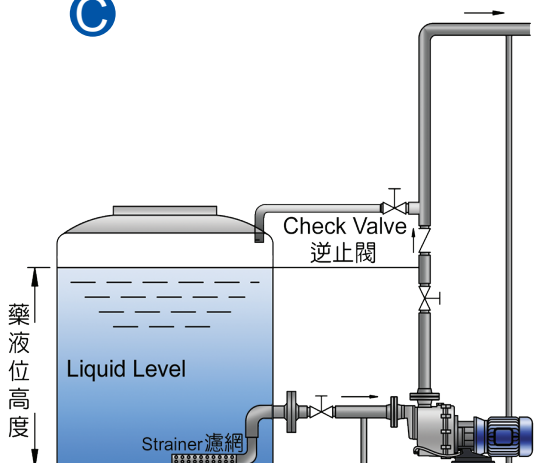


Example B

1. In order to monitor the flow and to detect possible clog of the filter, please set a pressure gauge at the outlet.
2. To eliminate damage caused by dry-running, please install a pressure safety shutoff.
3. Please clean up particles in the pump after operation.
4. Strainer is easy to be clogged. Clean it as usual.
5. The diameter of each hole in the strainer should be approximately 5~7mm and the total mesh area of the strainer should be 5~10 times the area of the inlet.
It's better to enlarge the inlet pipeline. For example, enlarged 2-1/2" inlet pipeline could drop the resistance loss.
6. Install valves at the inlet and outlet for easy maintenance.
7. Set an overflow piping at the outlet pipeline and keep constantly opened to allow little overflow.

1. 為了監視液體流動及偵測過濾機中可能的阻塞，請於出口加裝壓力錶。
2. 請加裝壓力保護斷電器以避免因空轉損壞。
3. 操作完畢，請清除泵浦中的外來物。
4. 注意入口濾網容易受阻塞，應時常清洗。
5. 濾網網孔的直徑應為約5~7mm，且濾網孔的面積應為入口之5~10倍，入口管路最好加大管徑，如泵入口為2"，改配2-1/2"入口管，預防吸入量的不足。
6. 於出入口的管路中加裝閥門，以便維護。
7. 出水口配有回流管，正常開啟閥門，少量回流。

C

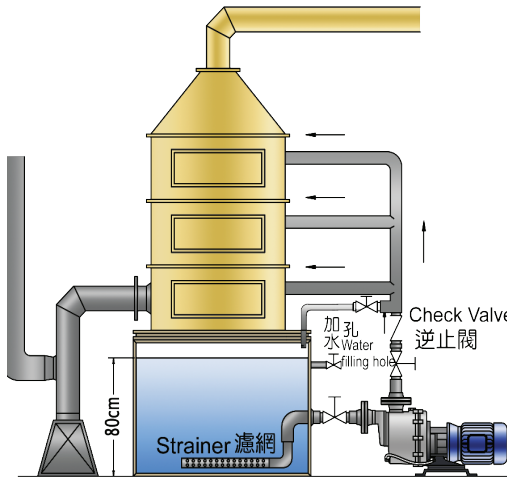


Example C

1. While applied to pump chemicals from the storage tank, please have a valve set at the inlet for the safety and convenience during maintenance.
2. Please monitor the level of the liquid in the tank to avoid dry-running.
3. Without check lid model is recommended.
4. Please install a check valve at the outlet while the height of piping exceeds 8M. It's better to enlarge the inlet pipeline. For example, enlarged 2-1/2" inlet pipeline could drop the resistance loss.
5. Please fasten in-outlet piping perfectly.
6. The motor shield must be applied while the pump is installed outdoors or in harsh conditions.
7. Set an overflow piping at the outlet pipeline and keep constantly opened to allow little overflow

1. 當應用於抽送儲存槽中之化學藥水時，請於入口加裝閥門，以維安全及維護上之便利。
2. 請監視槽內液體高度，以避免空轉。
3. 建議採用無單向閥機型。
4. 當配管高度大於8米時請於出口加裝逆止閥，逆止閥應高於液位以上，入口管路最好加大管徑，如泵入口為2"、改配2-1/2"入口管，以防吸入量的不足。
5. 請將出入口管線固定好。
6. 當泵浦裝於戶外或惡劣環境中，馬達必需加蓋護罩。
7. 出水口配有回流管，正常開啟閥門，少量回流。

D

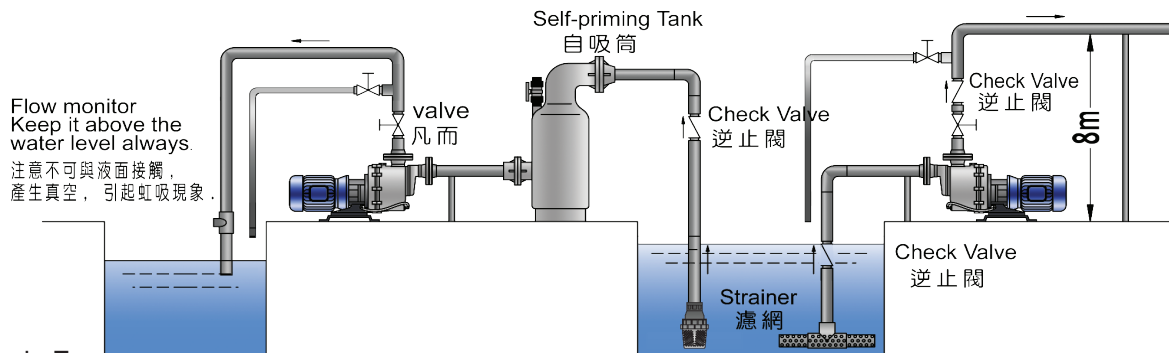


Example D

1. While applied to waste gas treatment tower, the tank should be large enough and the water-level in the tank should exceeds the inlet 80cm.
2. In order to avoid foreign particles clogging the inlet, please lower the inlet and install a strainer. (Mesh diameter approximately 5~7mm and the total mesh area of the strainer should be 5~10 times the area of the inlet.) It's better to enlarge the inlet pipeline. For example, enlarged 2-1/2" inlet pipeline could drop the resistance loss.
3. It should be easy to remove the strainer from the inlet for cleaning.
4. To avoid running out of liquid, please make sure that the water supplying system functions well.
5. To prevent the pump from dry running, please install a safety shutoff.
6. The motor shield must be applied while the pump is installed outdoors or in harsh conditions.
7. Install valves at the inlet and outlet for easy maintenance.
8. Set an overflow piping at the outlet pipeline and keep constantly opened to allow little overflow.

1. 當應用於廢氣塔時，水槽應夠大，且槽中水位應高於入口濾網80公分。
2. 為了避免外物阻塞入口，請降低入口並要裝濾網(網孔孔徑約5~7mm，且濾網孔的面積應為入口管徑之5~10倍)入口管路最好加大管徑，如泵入口為2"，改配2-1/2"入口管，預防吸入量的不足。
3. 入口濾網應易於取下清洗。
4. 請確認供水系統功能良好，以避免無水運轉(加裝自動補水系統)。
5. 請加裝保護斷電器，以防止泵浦空轉。
6. 當泵浦裝於戶外或惡劣環境中，馬達必需加蓋護罩。
7. 於出入口的管路中加裝閥門，以便維護。
8. 出水口配有回流管，正常開啟閥門，少量回流。

E



Example E

1. To stop articles or objects entering the pump, install a foot valve or strainer.
2. To prevent the inlet from sucking in bubble, please keep liquid level at least 30cm above the strainer.
3. Check valve must be installed if the height of piping exceeds 8M.
4. To avoid dry-running, please install a safety shutoff.
5. For the safety of repair, the valve must be installed at the outlet.
6. 3" in/outlet models cannot do self-priming well. Install a self-priming tank to get it.
7. In order to avoid foreign particles clogging the inlet, please lower the inlet and install a strainer. (Mesh diameter approximately 5~7mm and the total mesh area of the strainer should be 5~10 times the area of the inlet.) It's better to enlarge the inlet pipeline. For example, enlarged 2-1/2" inlet pipeline could drop the resistance loss.
8. If the head of the outlet too high or the long transfer distance and the pressure losing or over 1KG we suggest that install the outlet tee hose for backflow to tube. This can avoid the pressure of the backflow and the hot air can be exhausted will diminish the damage.
9. Set an overflow piping at the outlet pipeline and keep constantly opened to allow little overflow.

1. 加裝底閥或濾網，以防止外物進入泵浦。
2. 請保持液位最少高於入口濾網 30cm 以上，以防止吸入氣泡。
3. 當配管高度大於 8 米時，必需加裝逆止閥。
4. 請加裝保護斷電器，以防止泵浦空轉。
5. 為了維修安全，出口必需加裝閥門。
6. 出入口為 3" 之機型無自吸能力，請加裝自吸桶以獲得自吸能力。
7. 為了避免外物阻塞入口，請降低入口並要裝濾網(網孔孔徑約5~7mm，且濾網孔的面積應為入口管徑之5~10倍)。入口管路最好加大管徑，如泵入口為2"，改配2-1/2"入口管，預防吸入量的不足。
8. 出口揚程高或輸送距離較長，壓損超過1kg以上的使用場所建議在原出口加裝三通回流管，來防止反壓及熱氣排放減少損壞。
9. 出水口配有回流管，正常開啟閥門，少量回流。
※如安裝二台泵浦，不能共用入口管路



總公司

昇展實業股份有限公司

台灣省台南市永康區中正南路404巷7號

Tel: 886-6-2534546, 2541601

Fax: 886-6-2534226, 2420509

SUPER GIANT ENTERPRISE CO., LTD.
No.7, Lane 404, Chung Cheng South Road, Yen
Hang, Yung Kang, Tainan, Taiwan,

Tel: 886-6-2534546, 2541601

Fax: 886-6-2534226, 2420509

E-mail: super@superpump.tw

Website: www.superpump.tw

www.chemicalfilter.com.cn



上海區 塑寶環保機械

江蘇省太倉市沙溪鎮岳王區

鎮北路16號 215400

Tel: 0512-53303388, 53303398

Fax: 0512-53303588

E-mail: taichang@superpump.cn

Website: www.superpump.cn

廣東區 升展機械

廣東省廣州市增城區新塘鎮

民營西二路9號

(遠航科技園B1座二樓)

Tel: 020-82691835, 82602341~3

Fax: 020-82708706

E-mail: singtown@superpump.cn

Website: www.chemicalpump.cn

訂購時請提供下列資料:

1. 藥液條件: 名稱 _____ / 溫度 _____
濃度 _____ / 比重 _____ / 黏度 _____
2. 需求流量: _____ L/min
3. 需求揚程: _____ M
4. 馬達: 電壓 / 頻率

While placing your order...

Please kindly provide us the following information.

1. Chemical: Name _____ / Concentration _____ /
Temperature _____ / Specific Gravity _____ /
Viscosity _____
2. Capacity needed: _____ L/min
3. Head needed: _____ M
4. Power: Voltage / Frequency